



BSD-IGS-016

MAIN FEATURES



16 Port 10/100/1000Base-T
Unmanaged Industrial Switches

Input Voltage: DC10~58V

Operating Temperature: -40°C ~ +85°C

Shell: IP40 protection, fan less design

Test Report: CCC, RoHS, FCC, CE

Anti-static: 8KV-15KV

PRODUCT DESCRIPTION

This BSD-IGS-016 is a 16 port 10/100/1000Base-T Industrial Ethernet Switch. The BSD-IGS-016 features fan less heat dissipation circuit design, wide range of working environment temperature, high protection level, it supports high quality, high/low temperature resistance and lightning protection, which enhances the reliability and safety of industrial networks. It can meet the installation requirements of rail transit, safe city, intelligent transportation, outdoor monitoring and other harsh environments.



PRODUCT PARAMETERS

Provider Mode Ports

Fixed port	16*10/100/1000 Base - T
Management Port	Not support
Power interface	Phoenix terminal, dual power supply
LED Indicators	PWR, Link/ACT LED

Cable type & Transmission distance

Twisted-pair	0-100m (CAT5e, CAT6)
Single mode optical fiber	Not support
Multimode (optical) fiber	Not support

Network Topology

Ring topology	Not support
Star topology	Support
Bus topology	Support
Tree Topology	Support

Electrical Specifications

Input voltage	DC10-58V
Total Power consumption	Total power<6W



Layer 2 Switching

Switching capacity	32G
Packet forwarding rate	23.8Mpps
MAC address table	16K
VLAN	Not support
Buffer	4M
Forwarding delay	<5us
MDX/MIDX	Support
Flow control	Support
Jumbo Frame	10KBytes

Environment

Operating temperature	-40°C~+85°C
Storage temperature	-40°C~+85°C
Relative humidity	5%~95% (non-condensing)
Thermal methods	Fan less, natural cooling
MTBF	100,000 hours

Mechanical Dimensions

Product size	143X104X48mm
Installation Method	DIN rail
Weight	0.8KG

EMC&INGRESS PROTECTION

IP Level	IP40
Surge protection of Power	IEC 61000-4-5 Level 3 (4KV/2KV) (8/20us)



Surge protection of Ethernet port	IEC 61000-4-5 Level 3 (4KV/2KV) (10/700us)
EMI	CLASS A
ESD	IEC 61000-4-2 Level 4 (8K/15K)
Free fall	0.5m

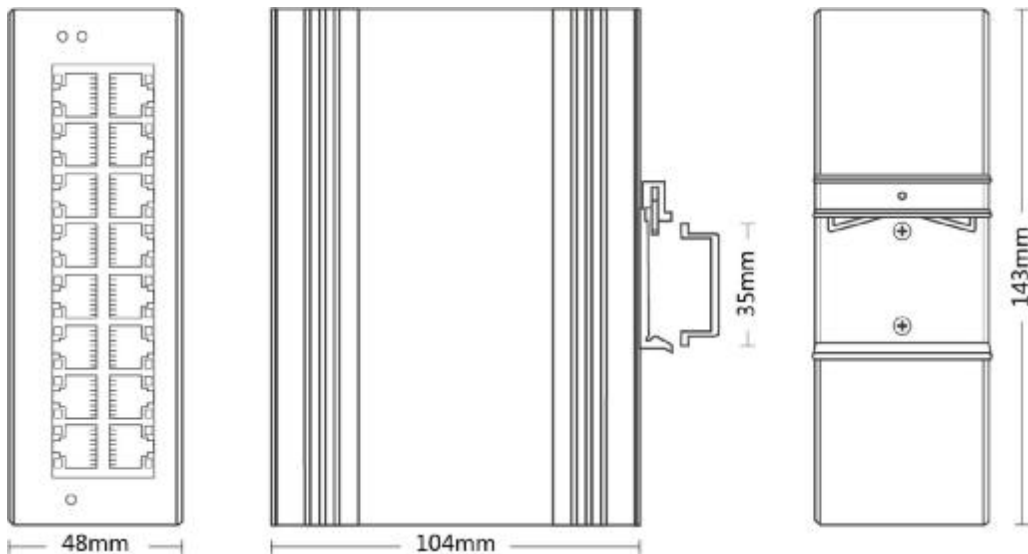
Authentication

Authentication	CCC/CE/FCC/RoHS
----------------	-----------------

Accessories

Accessories	Device, Terminals, Specification, Certificate Adapter(optional)
-------------	--

SIZE AND APPEARANCE



Front view

Side view

Back view